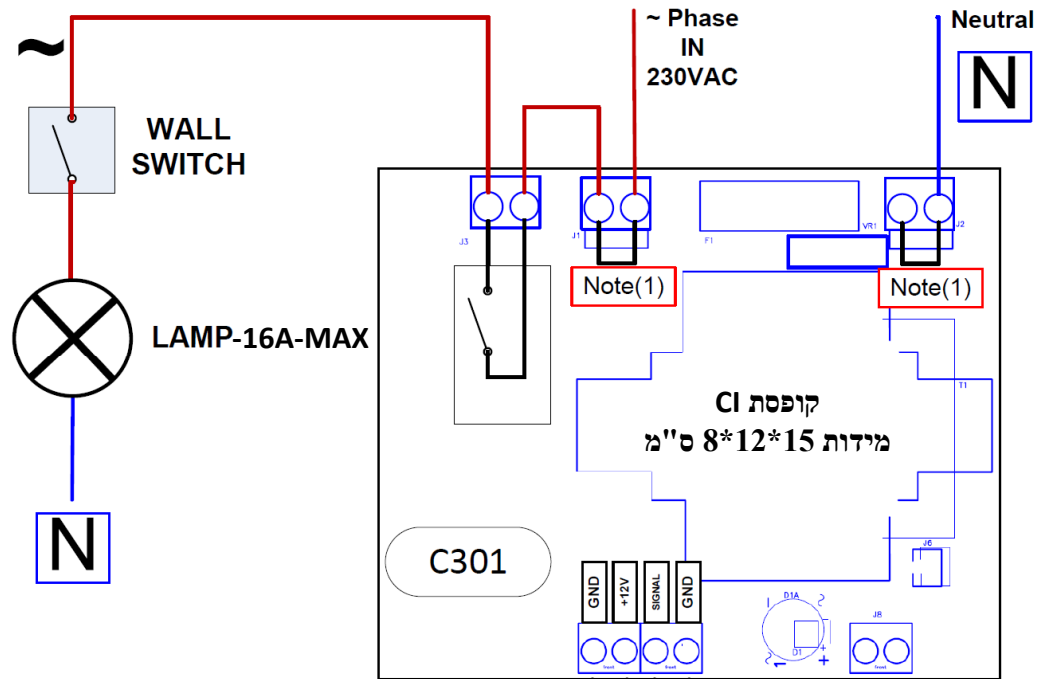


MOTION DETECTOR WITH LIGHT AND AIR CONDITION CONTROL



Note(1): Shorted on board

Recommended Cable Specification

2x2x0.5 Unshielded Switchboard Outdoor Cable

General Construction: 2 PVC insulated twisted pairs, cabled together protected with and FR-PVC UV resistant outer jacket.

Outer Jacket Material: UV resistant FR-PVC

Outer Diameter: 5.3 mm nom.

Conductor Material: Tinned Copper

Conductor Size: 24 AWG

Conductor Size: 0.5 mm

Insulation Material: PVC

Insulation O.D.: 0.94 mm nom.

Total number of conductor units: 2

Outer Jacket Thickness: 1.0 mm nom.

Standards

Standards: RoHS 2002/95/EC

Flamability Rating: UL CMX

Performance

Max. DC Resistance : 96.0 Ω/km@20°C

Capacitance: 100 pF/m

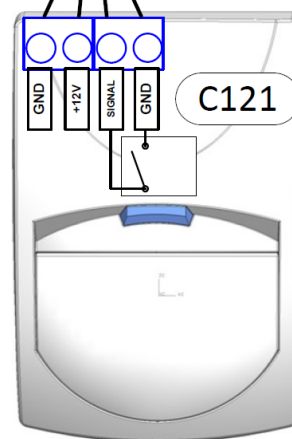
Capacitance Unbalance: 250 pF/500m

Dielectric Strength: 2000 V/minute

Min. Insulation Resistance : 800 MΩ·km

Max. Operating Temperature: +80 °C

Min. Operating Temperature: -20 °C



BRIMAG
SYSTEMS

MOTION DETECTOR WITH LIGHT AND AIR CONDITION CONTROL

PRODUCT: C121S-U/P

| | | | |
|-------|----------------------|-----------------|--------|
| SIZE | FSCM NO | DWG NO | REV |
| | | P/N: 3FC1216200 | A02 |
| SCALE | Do not scale drawing | SHEET | 1 OF 1 |